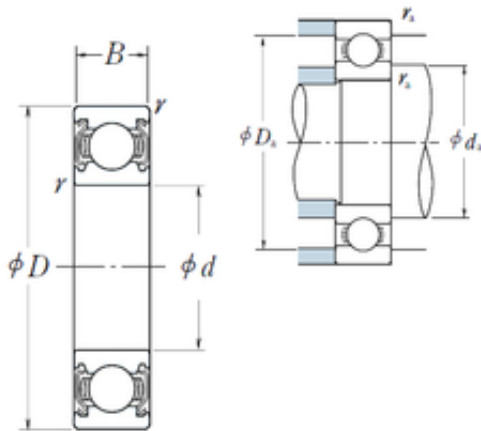




China Im8uu Bearing Supplier



NSK 6312zz Ball Bearing, 6312zzcm, 6312DDU,
6312-2z, 6312-2RS

Bearing No. 6312zz

6312zz Bearing 2D drawings and 3D CAD models

Size	60x130x31 mm
Bore Diameter	60 mm
Outer Diameter	130 mm
Width	31 mm
d	60 mm
D	130 mm
B	31 mm
C	31 mm
r min.	2,1 mm
da min.	71 mm
da max	79 mm
Da max.	119 mm
ra max.	2 mm
Weight	1,72 Kg
Basic dynamic load rating (C)	82 kN
Basic static load rating (C0)	52 kN
(Grease) Lubrication Speed	5 300 r/min
Category	Single Row Ball Bearings
Inventory	0.0
Manufacturer Name	NSK
Minimum Buy Quantity	N/A
Weight / Kilogram	0.79
EAN	0029176017308
Product Group	B00308
Enclosure	2 Metal Shields



China Im8uu Bearing Supplier

Precision Class	ABEC 1 ISO P0
Maximum Capacity / Filling Slot	No
Rolling Element	Ball Bearing
Snap Ring	No
Internal Special Features	No
Cage Material	Steel
Internal Clearance	C0-Medium
Inch - Metric	Metric
Long Description	60MM Bore; 130MM Outside Diameter; 31MM Outer Race Diameter; 2 Metal Shields; Ball Bearing; ABEC 1 ISO P0; No Filling Slot; No Snap Ring; No Internal Special Features
Category	Single Row Ball Bearing
UNSPSC	31171504
Harmonized Tariff Code	8482.10.50.68
Noun	Bearing
Keyword String	Ball
Manufacturer URL	http://www.nskamericas.com
Manufacturer Item Number	6312ZZ
Weight / LBS	1.73
Outside Diameter	5.118 Inch 130 Millimeter
Outer Race Width	1.22 Inch 31 Millimeter
Bore	2.362 Inch 60 Millimeter
SRI	11.5
hidYobi	6312ZZ
LangID	1
D_	130
SREX	0.08
B_	31
da min	71



China Im8uu Bearing Supplier

hidTable	ecat_NSRDGB
SRE	11.78
mass	1.72
GRS rpm	5300
ra	2
SRIX	0.04
D_a	119
SRIN	-0.04
C0	52
fo	13.1
SREN	0
DE_	117.225
Prod_Type3	DGBB_SR_ZZ
DA_	22.225
bomp	0
Z_	8
yobi	6312ZZ
C_conv	82000
ALPHA_	0
SDM_	95
r	2.1
KBRG	6141
SBRG	3
DI_	72.775